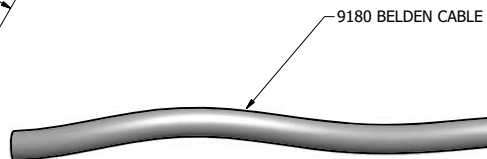
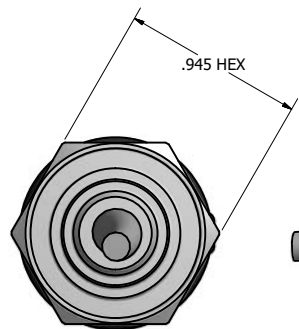


HTI-99-HF / HEX MECHANICAL OUTLINE

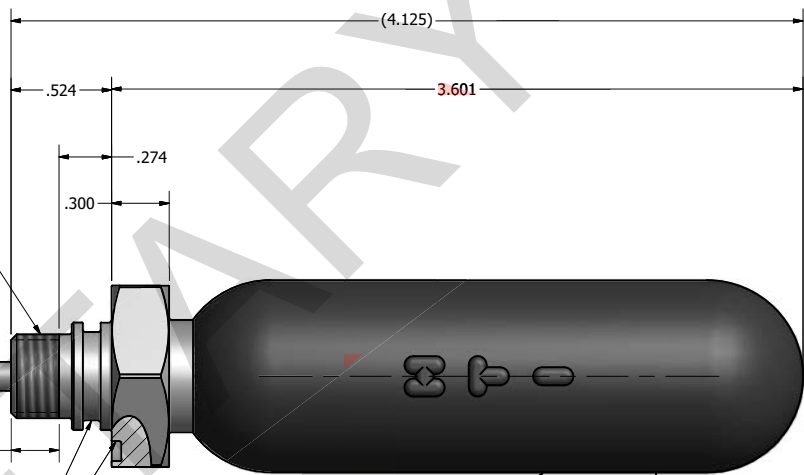


7/16-20 UNF - 2A

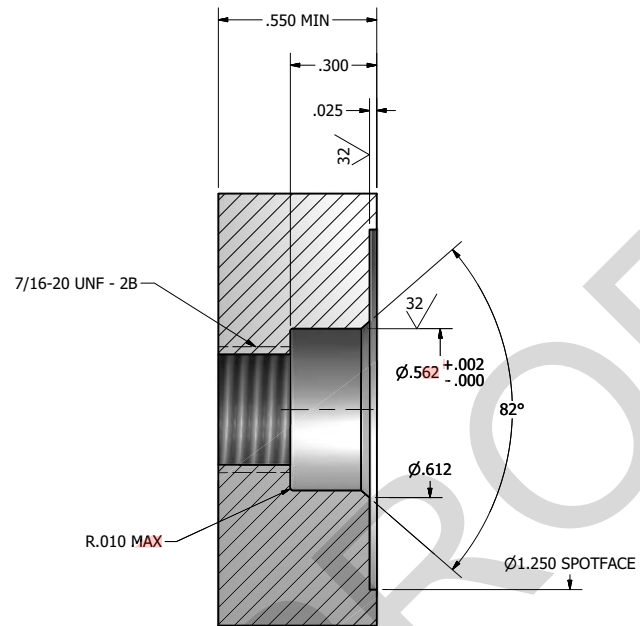
.250 MIN FULL THREAD

GROOVE FOR #013 O-RING

GROOVE FOR #017 O-RING



POLYURETHANE ENCAPSULATED
HTI-99-HF HYDROPHONE



RECOMMENDED
MOUNTING DETAIL

RELEASE TO AND ACCEPTED BY THE POSSESSOR ON CONDITION
THAT NO RIGHTS OF REPRODUCTION OR USE ARE GIVEN EXCEPT
FOR PURPOSE ELSEWHERE SPECIFIED IN WRITING BY HIGH TECH.

DRAWN	5/11/2016
SCOTT	
CHECKED	
QA	
MFG	
APPROVED	



TITLE		
HTI-99-HF/HEX MECH OUTLINE		
SIZE	DWG NO	REV
C	99-001-25-00-00	
SCALE	SHEET 1 OF 1	