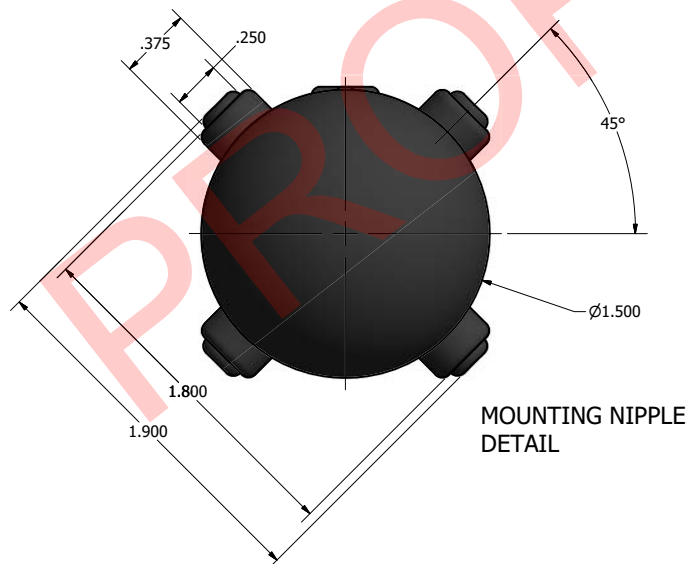
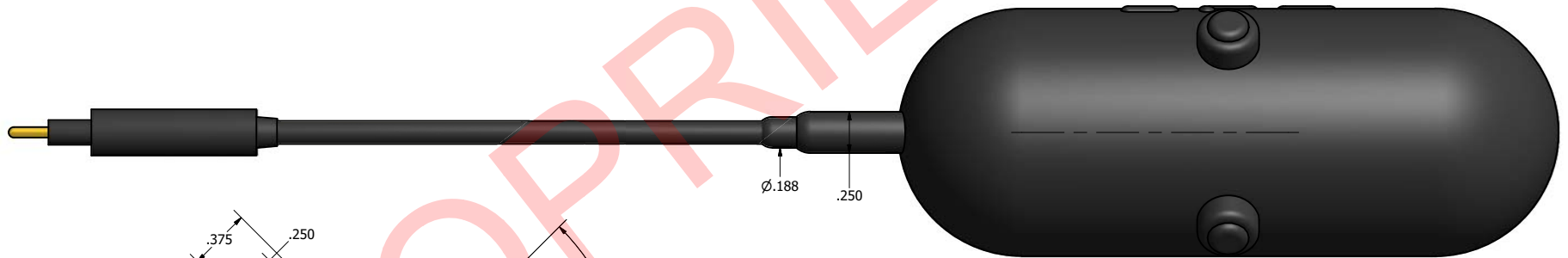
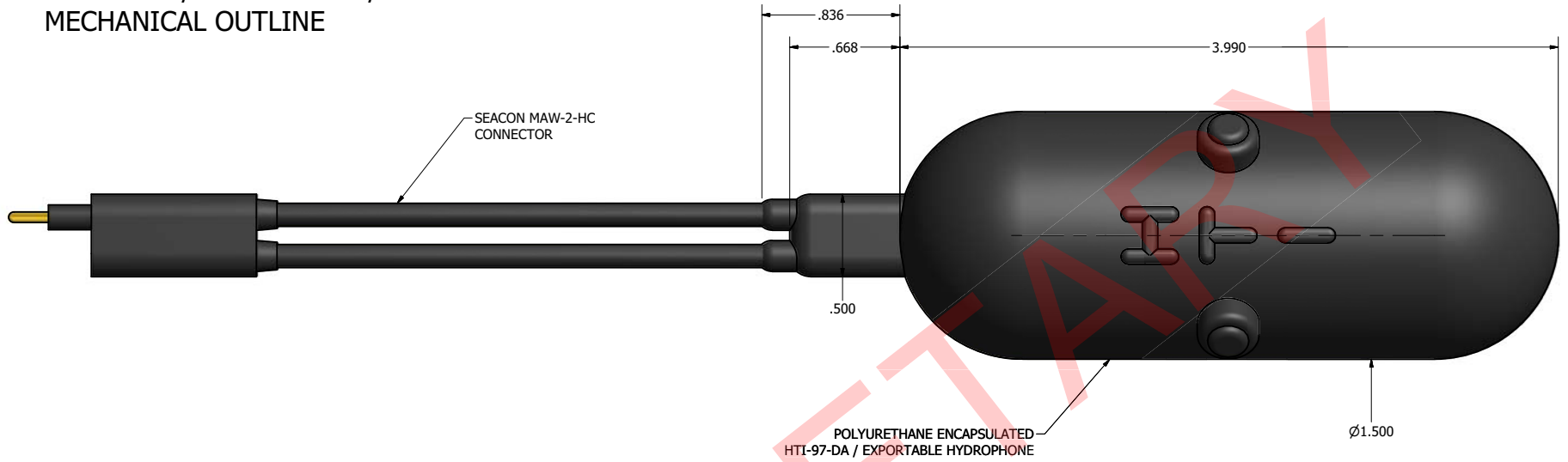


HTI-97-DA / EXPORTABLE / ARRAY VERSION
MECHANICAL OUTLINE



CONFIDENTIAL

RELEASE TO AND ACCEPTED BY THE POSSESSOR ON CONDITION THAT NO RIGHTS OF REPRODUCTION OR USE ARE GIVEN EXCEPT FOR PURPOSE ELSEWHERE SPECIFIED IN WRITING BY HIGH TECH.

DRAWN	3/10/2016
Scott	
CHECKED	
QA	
MFG	
APPROVED	
SCALE	



HIGH TECH, INC.

21120 JOHNSON RD.
LONG BEACH, MS 39560
(228) 868-6632

TITLE
HTI-97-DA/EXP/ARRAY MECH OUTLINE

SIZE	DWG NO	REV
C	97-001-25-00-00	

SHEET 1 OF 1