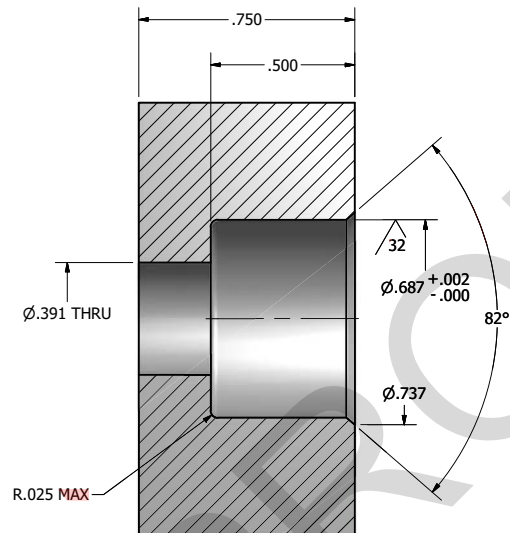
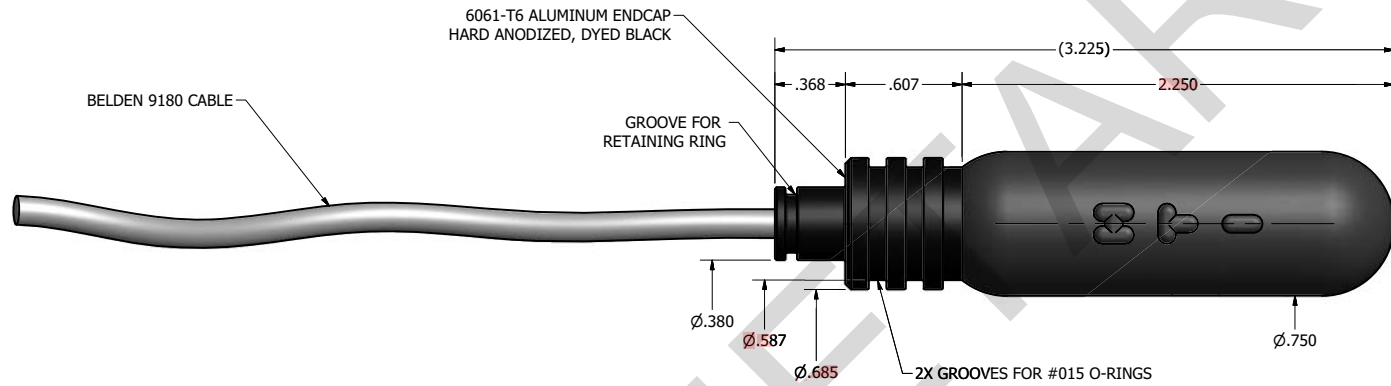



HTI-96-MIN / INLINE MECHANICAL OUTLINE



**RECOMMENDED
MOUNTING DETAIL**

RELEASE TO AND ACCEPTED BY THE POSSESSOR ON CONDITION
THAT NO RIGHTS OF REPRODUCTION OR USE ARE GIVEN EXCEPT
FOR PURPOSE ELSEWHERE SPECIFIED IN WRITING BY HIGH TECH.

DRAWN Scott	3/9/2016	 HIGH TECH, INC. 21120 JOHNSON RD. LONG BEACH, MS 39560 (228) 868-6632	
CHECKED			
QA			
MFG			
APPROVED		TITLE HTI-96-MIN/INLINE MECH OUTLINE	
	SIZE C	DWG NO 96-004-25-00-00	REV
	SCALE	SHEET 1 OF 1	