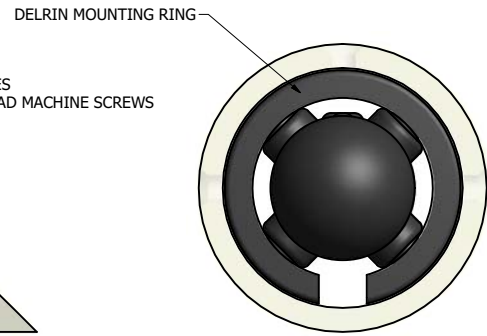
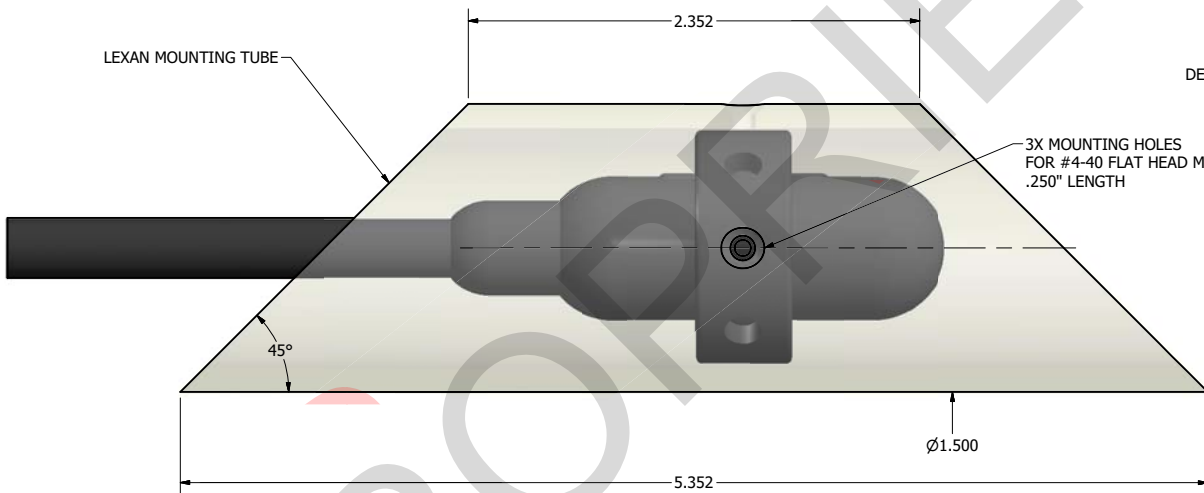
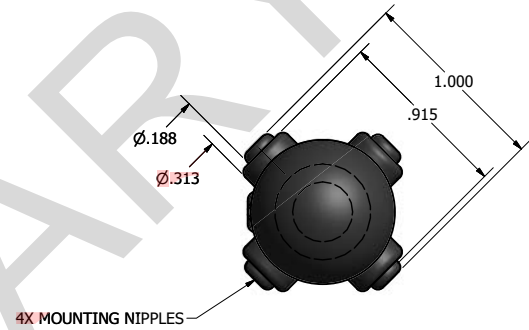
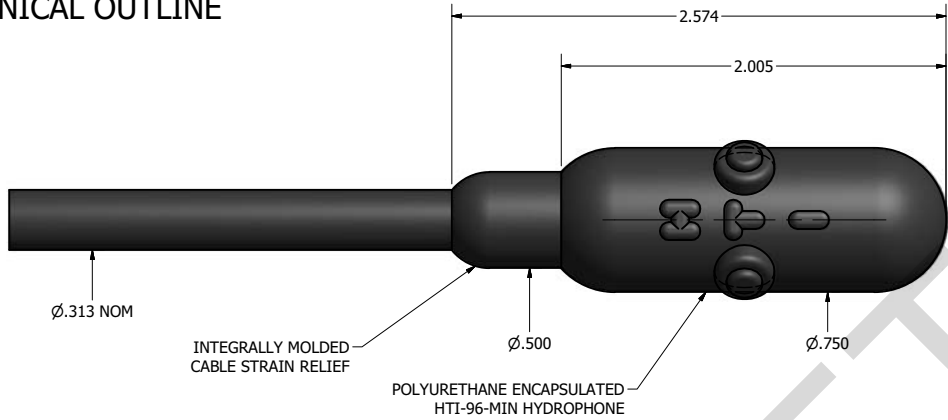



HTI-96-MIN / AC
MECHANICAL OUTLINE



RELEASE TO AND ACCEPTED BY THE POSSESSOR ON CONDITION THAT NO RIGHTS OF REPRODUCTION OR USE ARE GIVEN EXCEPT FOR PURPOSE ELSEWHERE SPECIFIED IN WRITING BY HIGH TECH.

DRAWN	3/9/2016
CHECKED	
QA	
MFG	
APPROVED	
SCALE	

 HIGH TECH, INC. 21120 JOHNSON RD. LONG BEACH, MS 39560 (228) 868-6632		TITLE
		HTI-96-MIN/AC MECH OUTLINE
SIZE	DWG NO	REV
C	96-003-25-00-00	
SHEET 1 OF 1		