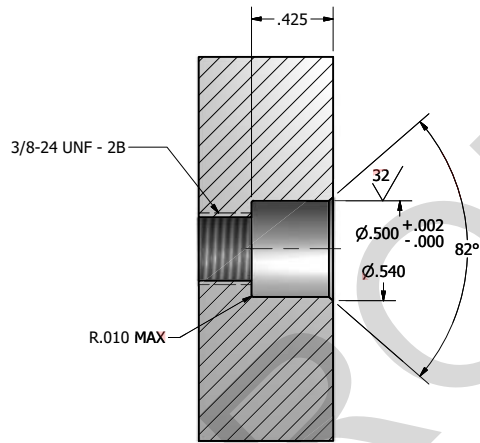
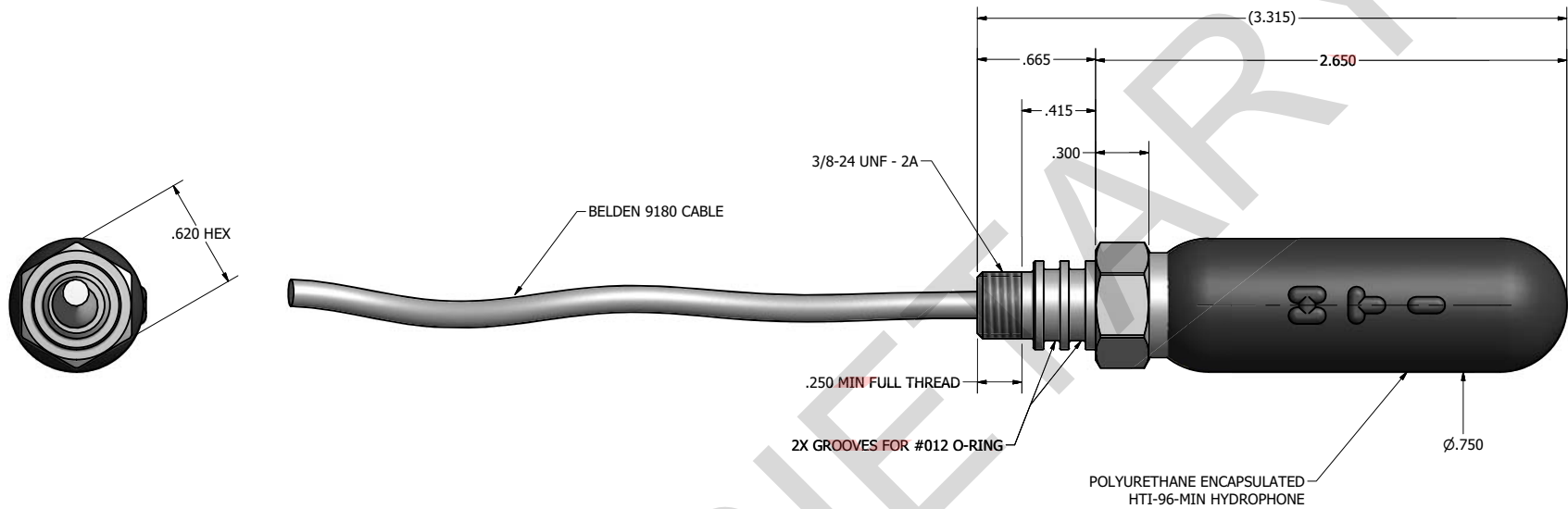



HTI-96-MIN / 5/8" HEX MECHANICAL OUTLINE



RECOMMENDED
MOUNTING DETAIL

RELEASE TO AND ACCEPTED BY THE POSSESSOR ON CONDITION
THAT NO RIGHTS OF REPRODUCTION OR USE ARE GIVEN EXCEPT
FOR PURPOSE ELSEWHERE SPECIFIED IN WRITING BY HIGH TECH.

DRAWN Scott	3/11/2016	 HIGH TECH, INC. 21120 JOHNSON RD. LONG BEACH, MS 39560 (228) 868-6632	
CHECKED			
QA			
MFG			
APPROVED		TITLE HTI-96-MIN/(5/8")HEX MECH OUTLINE	
	SIZE C	DWG NO 96-005-25-00-00	REV
	SCALE	SHEET 1 OF 1	