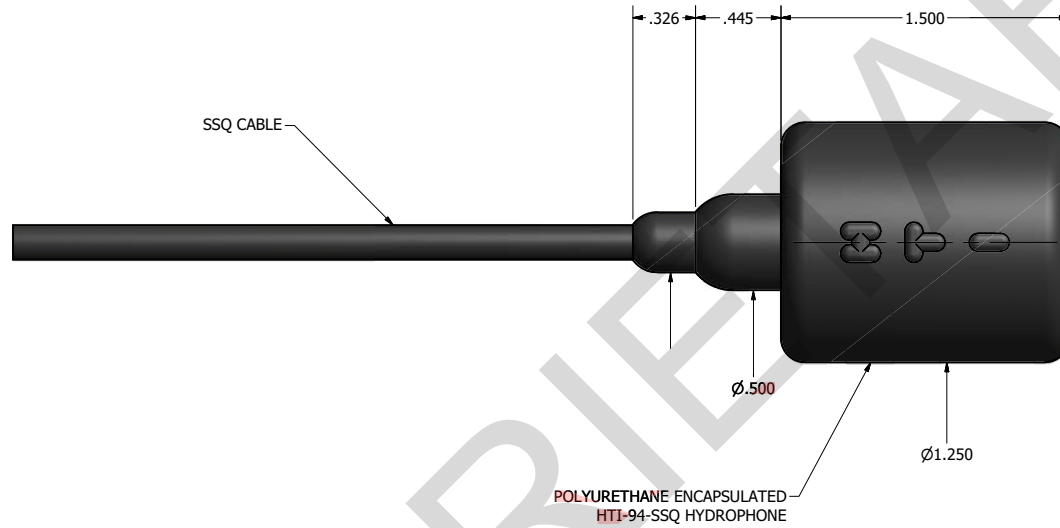



HTI-94-SSQ
MECHANICAL OUTLINE



PROPRIETARY

RELEASE TO AND ACCEPTED BY THE POSSESSOR ON CONDITION
THAT NO RIGHTS OF REPRODUCTION OR USE ARE GIVEN EXCEPT
FOR PURPOSE ELSEWHERE SPECIFIED IN WRITING BY HIGH TECH.

DRAWN	3/10/2016	 HIGH TECH, INC. 21120 JOHNSON RD. LONG BEACH, MS 39560 (228) 868-6632		
CHECKED				
QA				
MFG				
APPROVED		TITLE		
		HTI-94-SSQ MECH OUTLINE		
		SIZE	DWG NO	REV
		C	94-000-25-00-00	
		SCALE	SHEET 1 OF 1	