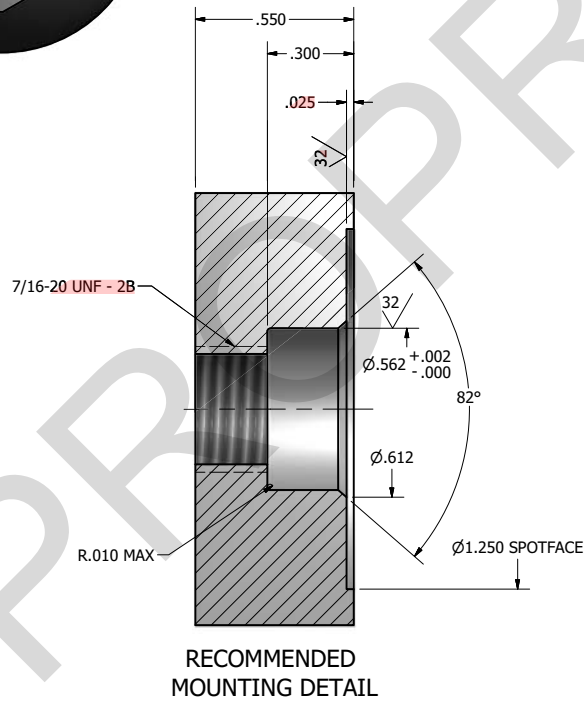
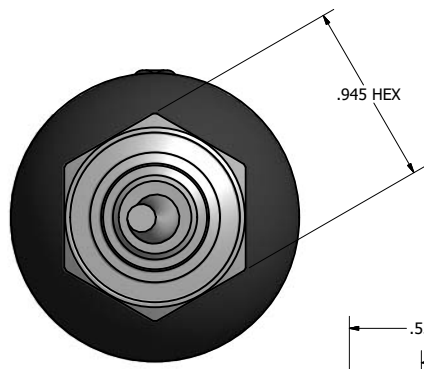
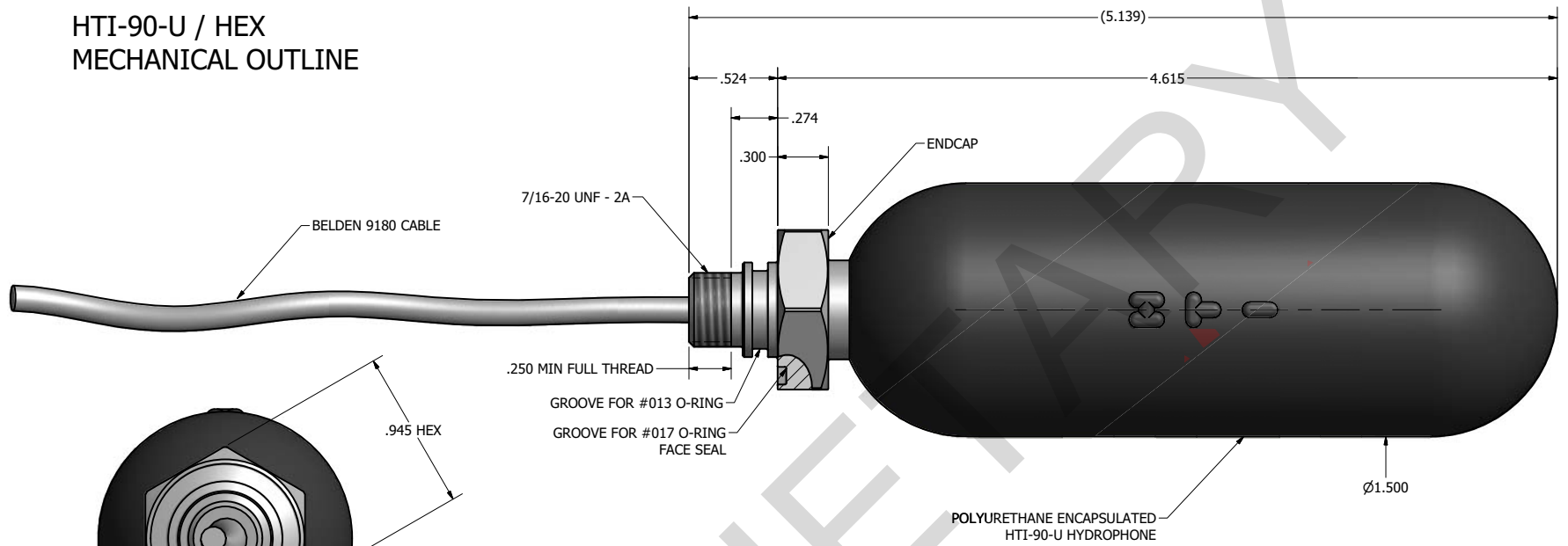



HTI-90-U / HEX MECHANICAL OUTLINE



RELEASE TO AND ACCEPTED BY THE POSSESSOR ON CONDITION THAT NO RIGHTS OF REPRODUCTION OR USE ARE GIVEN EXCEPT FOR PURPOSE ELSEWHERE SPECIFIED IN WRITING BY HIGH TECH.			
DRAWN Scott	3/8/2016	 HIGH TECH, INC. 21120 JOHNSON RD. LONG BEACH, MS 39560 (228) 868-6632	
CHECKED			
QA		TITLE HTI-90-U/HEX MECH OUTLINE	
MFG		SIZE C	DWG NO 90-000-25-00-00
APPROVED		SCALE	REV
		SHEET 1 OF 1	