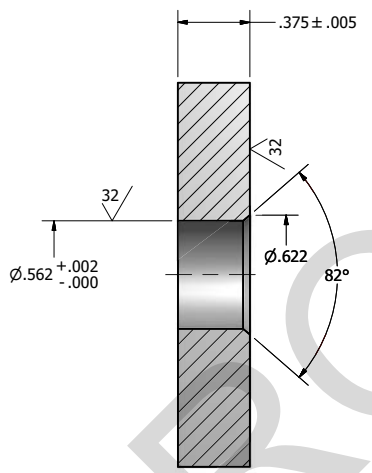
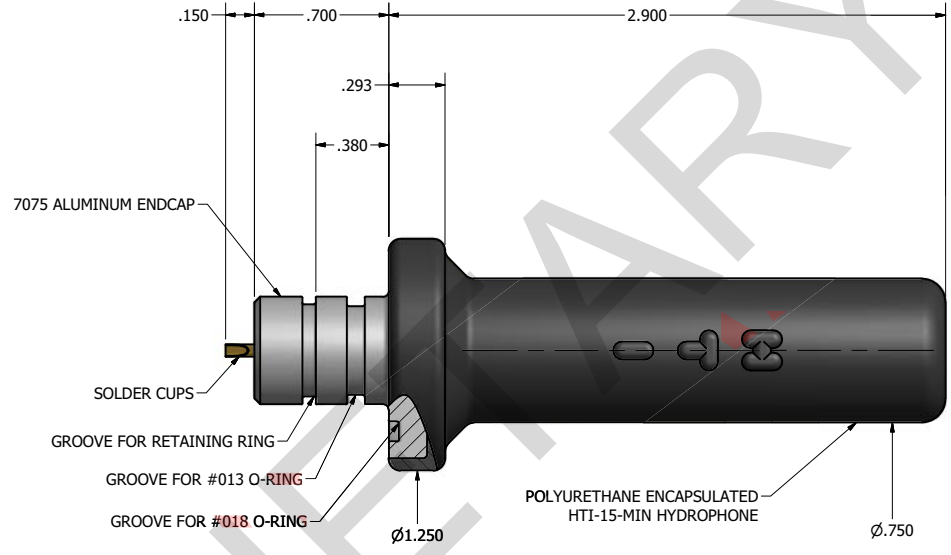
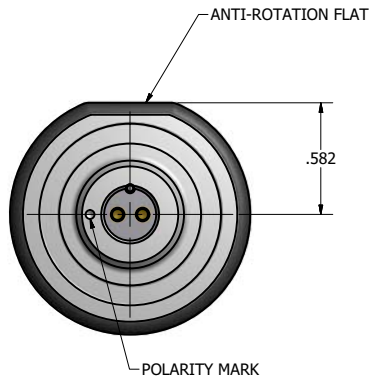



HTI-15-MINHP MECHANICAL OUTLINE



RECOMMENDED MOUNTING
DETAIL

RELEASE TO AND ACCEPTED BY THE POSSESSOR ON CONDITION
THAT NO RIGHTS OF REPRODUCTION OR USE ARE GIVEN EXCEPT
FOR PURPOSE ELSEWHERE SPECIFIED IN WRITING BY HIGH TECH.

| | | |
|----------------|-----------|---|
| DRAWN Scott | 6/23/2016 |  HIGH TECH, INC. 21120 JOHNSON RD. LONG BEACH, MS 39560 (228) 868-6632 |
| CHECKED | | |
| QA | | |
| MFG | | |
| APPROVED | | TITLE HTI-15-MINHP MECH OUTLINE |
| | | SIZE C |
| | | DWG NO 15-002-25-00-00 |
| | | SCALE |
| | | REV |
| | | SHEET 1 OF 1 |