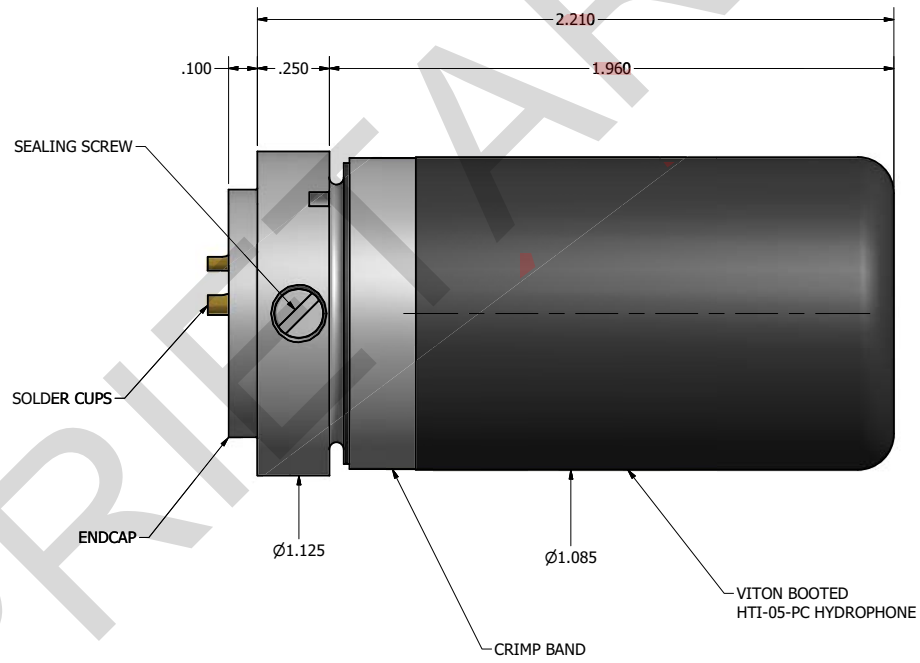
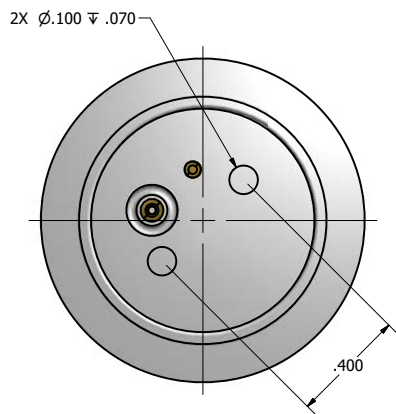


HTI-05-PC  
MECHANICAL OUTLINE



PROPRIETARY

RELEASE TO AND ACCEPTED BY THE POSSESSOR ON CONDITION  
THAT NO RIGHTS OF REPRODUCTION OR USE ARE GIVEN EXCEPT  
FOR PURPOSE ELSEWHERE SPECIFIED IN WRITING BY HIGH TECH.

DRAWN	6/24/2016
CHECKED	
QA	
MFG	
APPROVED	

**HIGH TECH, INC.**  
21120 JOHNSON RD.  
LONG BEACH, MS 39560  
(228) 868-6632

TITLE		REV	
HTI-05-PC MECH OUTLINE			
SIZE	DWG NO		
C	05-000-25-00-00		
SCALE	SHEET 1 OF 1		