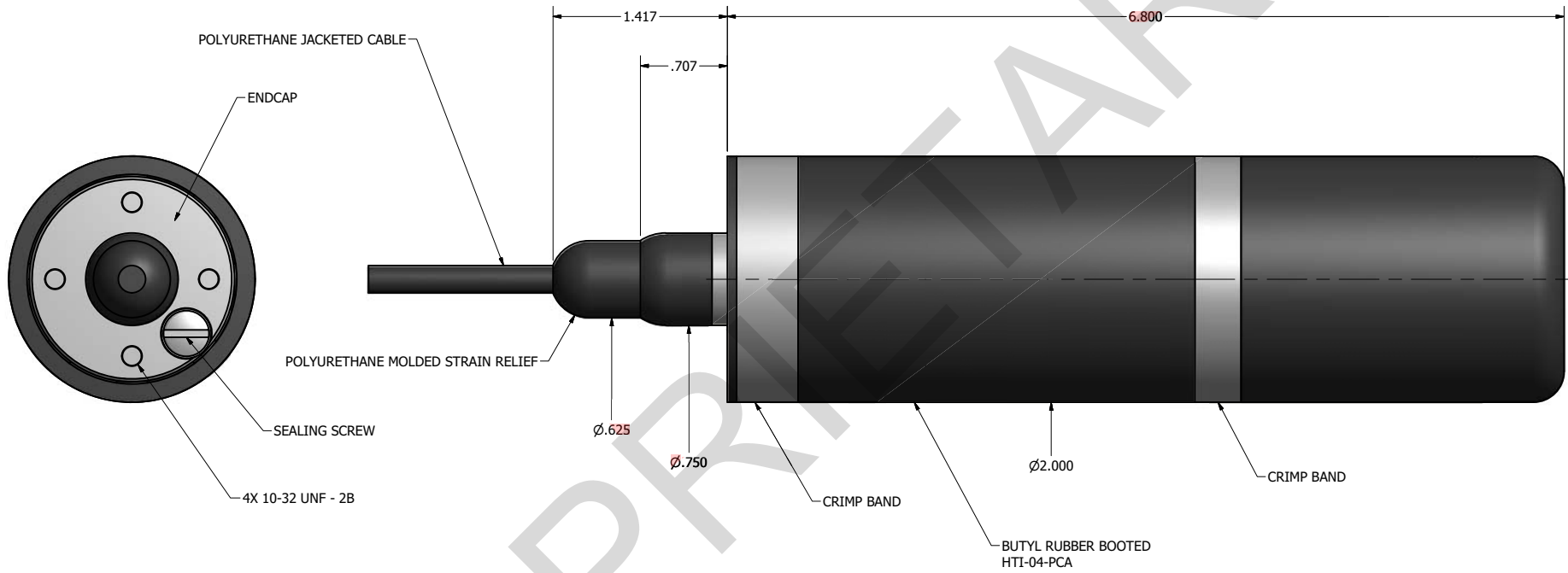


HTI-04-PCA
MECHANICAL OUTLINE



PROPERTY

RELEASE TO AND ACCEPTED BY THE POSSESSOR ON CONDITION
THAT NO RIGHTS OF REPRODUCTION OR USE ARE GIVEN EXCEPT
FOR PURPOSE ELSEWHERE SPECIFIED IN WRITING BY HIGH TECH.

DRAWN	6/23/2016
CHECKED	
QA	
MFG	
APPROVED	
SCALE	

HIGH TECH, INC.
21120 JOHNSON RD.
LONG BEACH, MS 39560
(228) 868-6632

TITLE	
HTI-04-PCA MECH OUTLINE	
SIZE	DWG NO
C	04-000-25-00-00
SCALE	SHEET 1 OF 1